



Available in 4097 ExMesh<sup>™</sup>

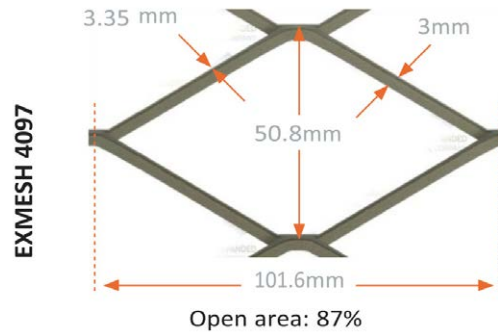
The ExMesh<sup>™</sup> Telecom system offers a high level of protection and is particularly suitable for safeguarding telecom masts and other critical equipment, including the 5G rollout, where effective perimeter security is vitally important in preventing theft, vandalism or sabotage.

Metal mesh fencing is a highly effective solution for deterring both trespass and sabotage, while also safeguarding the public, and offers a robust alternative to palisade security fencing or rigid mesh panel systems.

#### AT A GLANCE...

- Specifically designed and developed with the telecoms industry
- Simple to install and maintenance-free
- Suitable for sloping ground without stepping
- Versatile design makes this an ideal fencing system for compounds with meter cabinets.
- Available in a front face fix option, where installation access is only possible from one side of the fencing.
- Posts are vertically extended to suit barbed wire.

## MESH MEASUREMENTS



## PANELS

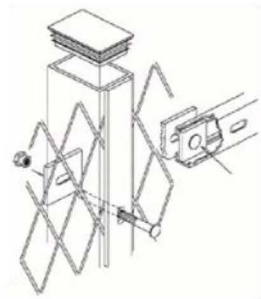
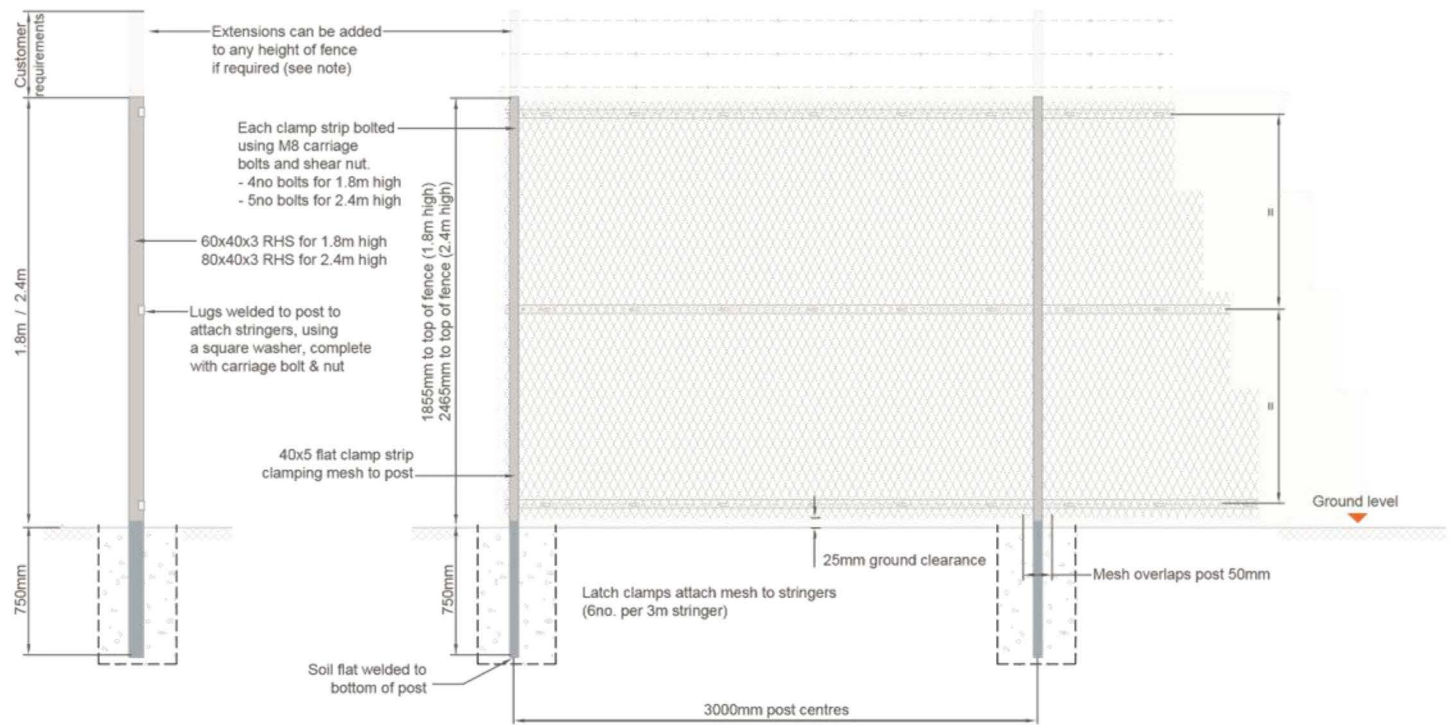
<b>Panel sizes (W x H)</b>	1830 x 3000mm
<b>Ground clearance</b>	25mm
<b>Overlapping</b>	50mm
<b>Coatings</b>	Hot dipped galvanised to BS EN 1461 as standard Polyester power coatings are available in the RAL colour specification range and is guaranteed in accordance with INTERPON D25/D525

## FIXINGS

<b>Type of posts</b>	SHS 80 x 80 x 3.6mm	SHS 80 x 80 x 3.6mm
<b>Type of fixings</b>	Adjustable hinges & anti-lifts	Adjustable hinges & anti-lifts
<b>How deep should posts be buried?</b>	600mm	600mm
<b>Foundation sizes (concrete) L x W x D</b>	250 x 250 x 700mm	250 x 250 x 700mm
<b>Baseplate sizes L x W x D</b>	250 x 250 x 10mm	250 x 250 x 10mm

**Disclaimer:** All finished product specifications and particulars including weights and dimensions stated are approximate only and should only be used for guidance. The Expanded Metal Company Ltd has the right to change the specifications at any time without notice.

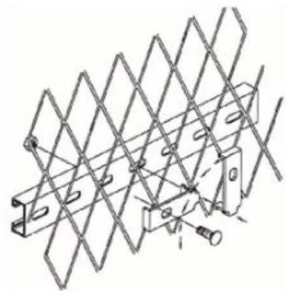
## INSTALLATION



### FIXINGS/POSTS

#### QUANTITY

1. 5mm clamp strip (1830/2440mm long)
4. M8 x 90 security bolts with snap off nuts (for 1.8 system)
5. M8 x 110 security bolts with snap off nuts (for 2.4 system)



### STRINGER ASSEMBLY

#### QUANTITY

3. Stringers (2930mm long)
18. Latch clamps
18. M8 x 25 cup square bolt & nut