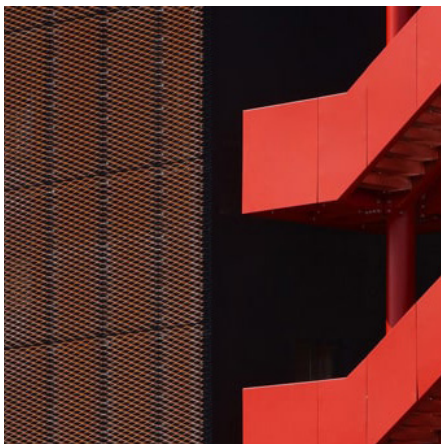


Available in architectural P08045, P08754, P08833, P08834, 4095, 2089

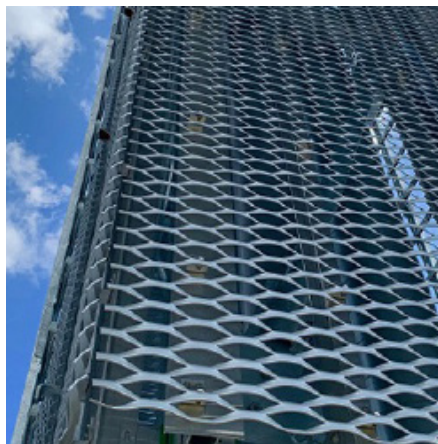
Strong, secure and durable, our architectural metal mesh boundary panels can be used for demarcation and aesthetics in multiple environments and are ideal for screening unsightly areas and equipment. Virtually maintenance-free, the panels are very easy to install. Which is why they often prove popular as boundary fencing where a new or replacement solution is quickly required. We also offer a range of finishings to suit your requirements. With gates and fencing options also available.

KEY FEATURES

- Easy to install with low maintenance costs
- Hot dip galvanised to ISO 1461:2022 with polyester powder coating options
- Available in a range of standard sizes, or bespoke upon request
- Gates can be manufactured to fit requirements



Energy District Scheme, London

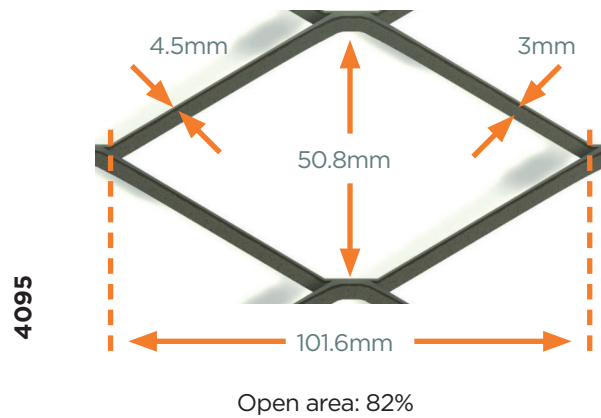
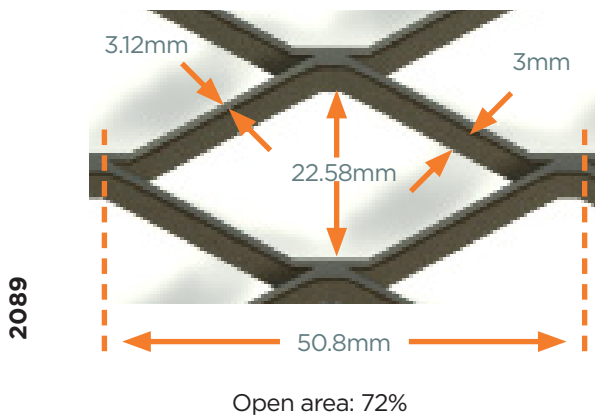
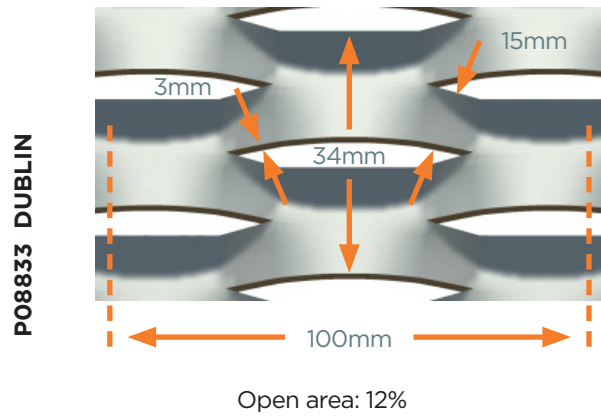
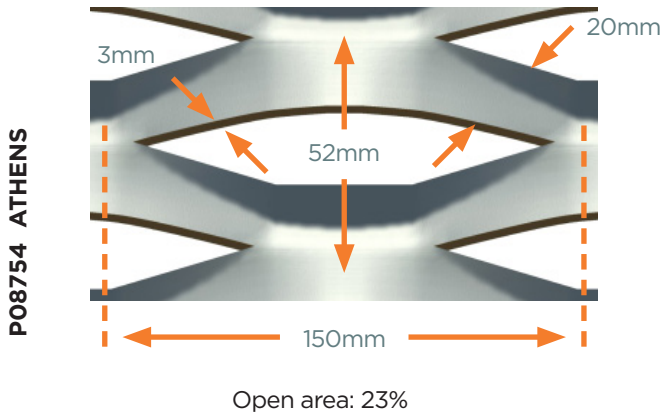
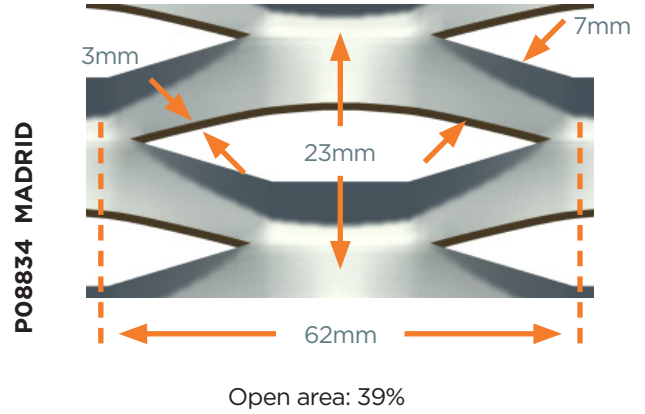
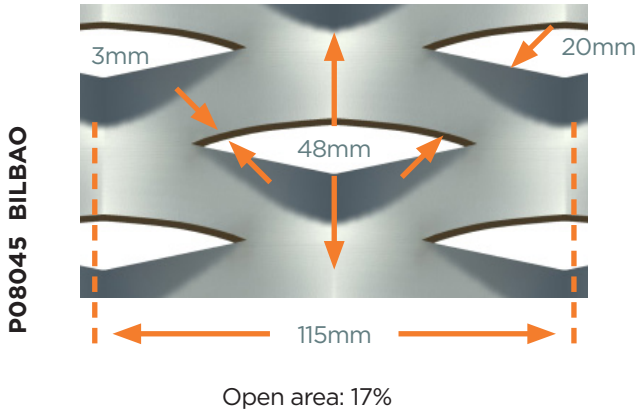


Grange University Hospital, Cwmbran



Stephen Lawrence Centre, London

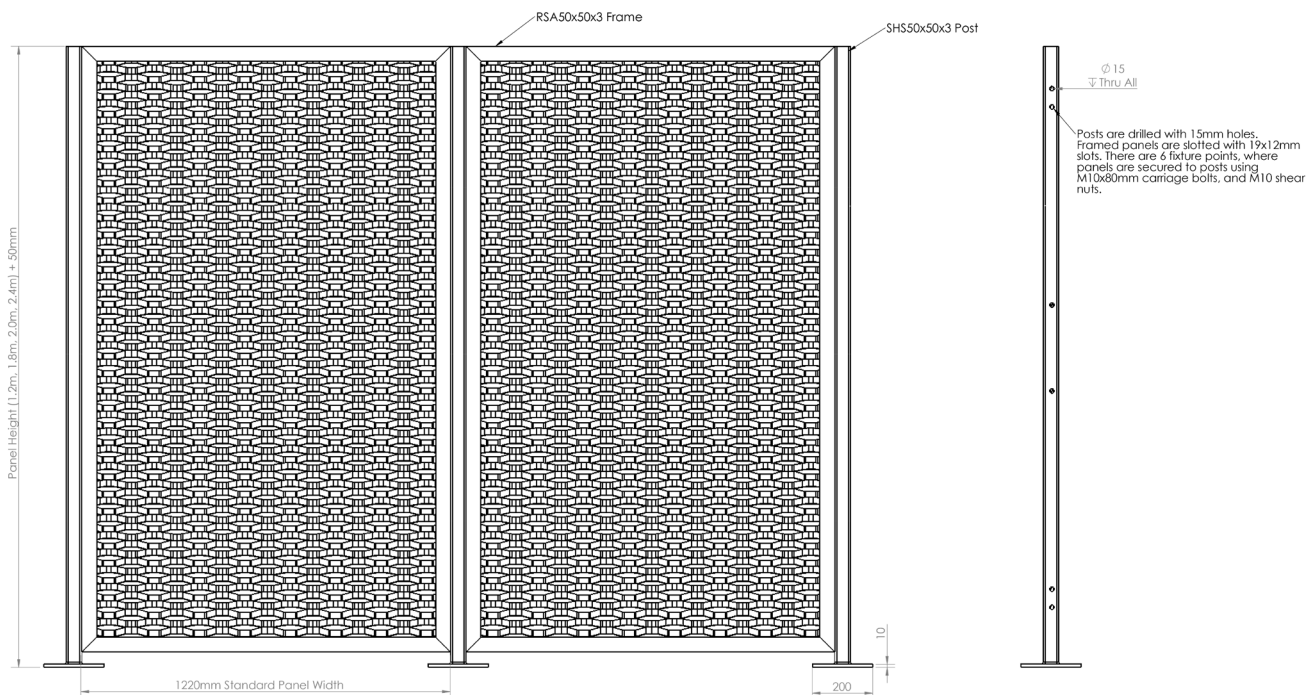
MESH MEASUREMENTS



PANELS

Panel sizes (H x W)	1200 x 1490mm, 1800 x 1490mm, 2000 x 1490mm, 2400 x 1490mm (with bespoke options upon request)
Ground clearance	50mm
Coatings	Hot dip galvanised to EN ISO 1461:2022 with the option of polyester powder coating. Specialist finishes available upon request, call +44 (0) 1429 867 388.
Post fixings	Bolt down and buried post options available

FENCE INSTALLATION



Disclaimer: All finished product specifications and particulars including weights and dimensions stated are approximate only and should only be used for guidance. The Expanded Metal Company Ltd has the right to change the specifications at any time without notice.