



Available in **4097** ExMesh

The ExMesh™ Telecom system offers a high level of protection and is particularly suitable for safeguarding telecom masts and other critical equipment, including the 5G rollout, where effective perimeter security is vitally important in preventing theft, vandalism or sabotage.

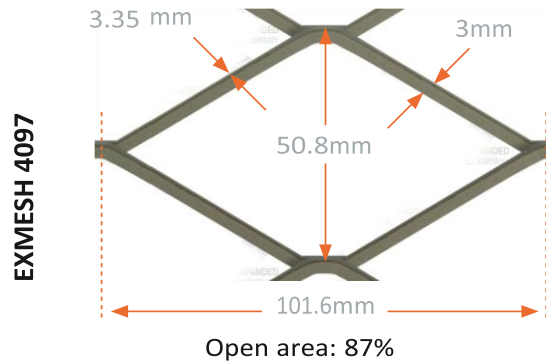
Metal mesh fencing is a highly effective solution for deterring both trespass and sabotage, while also safeguarding the public, and offers a robust alternative to palisade security fencing or rigid mesh panel systems.

The ExMesh™ Telecom security system is difficult to penetrate and offers clear line of site through the fence line. The diamond mesh design along with post extensions and barb wire topping prevent scaling.

AT A GLANCE...

- Specifically designed and developed with the telecoms industry
- Simple to install and maintenance-free
- Suitable for sloping ground without stepping
- Versatile design makes this an ideal fencing system for compounds with meter cabinets.
- Available in a front face fix option, where installation access is only possible from one side of the fencing.
- Posts are vertically extended to suit barbed wire.

MESH MEASUREMENTS



PANELS

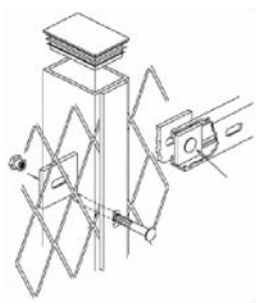
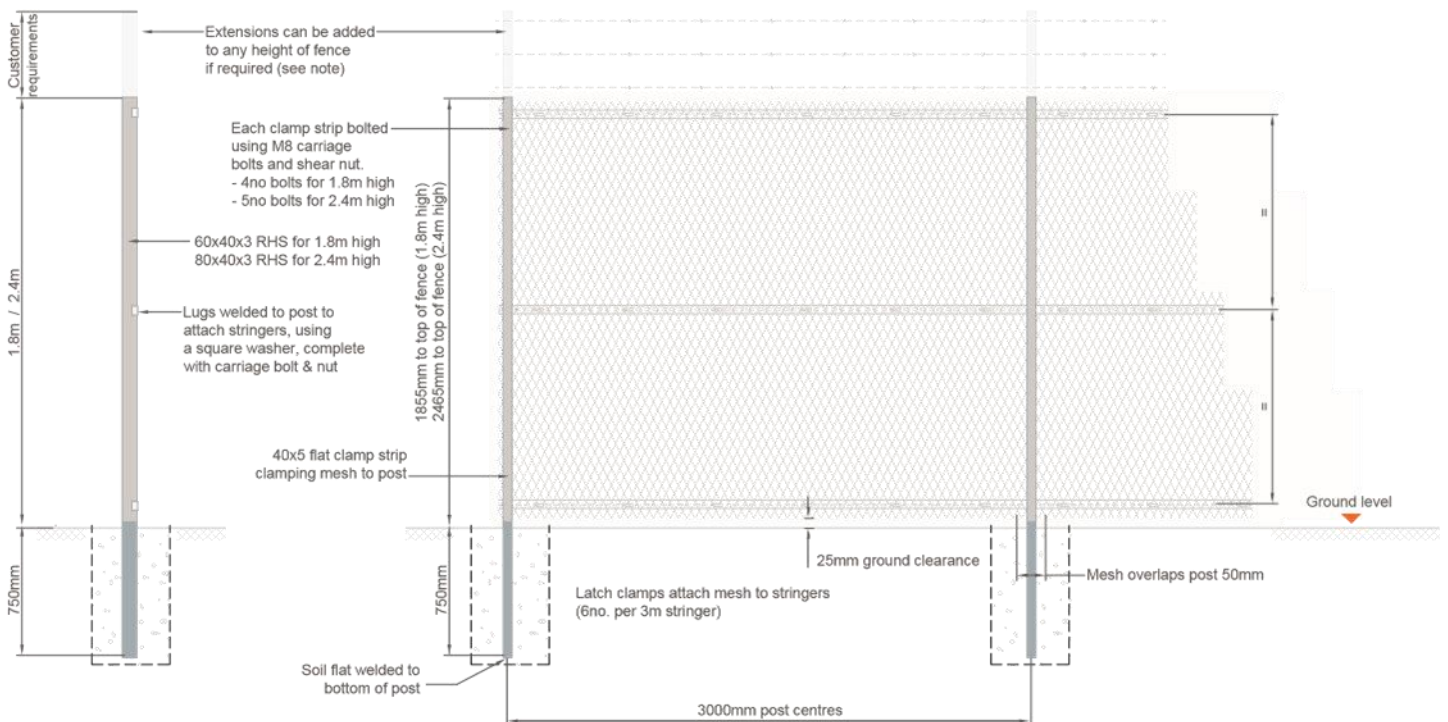
Panel sizes (H x W)	1830 x 3000mm
Ground clearance	25mm
Overlapping	50mm
Coatings	Hot dipped galvanised to BS EN 1461 as standard Polyester power coatings are available in the RAL colour specification range and is guaranteed in accordance with INTERPON D25/D525

FIXINGS

Type of posts	RHS 60 x 40 x 3mm		
Type of fixings	Carriage bolts and shear nuts		
Post centres	3m max		
Clamp strip	1 off 40 x 5mm		
How deep should posts be buried?	750mm	Foundation sizes (concrete) L x W x D	250 x 250 x 850mm
Baseplate sizes L x W x D	200 x 200 x 10mm		

Disclaimer: All finished product specifications and particulars including weights and dimensions stated are approximate only and should only be used for guidance. The Expanded Metal Company Ltd has the right to change the specifications at any time without notice.

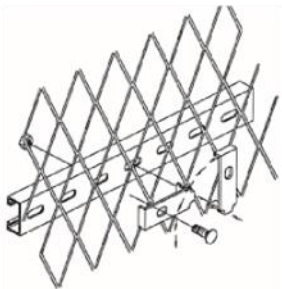
FENCE INSTALLATION



FIXINGS/POSTS

QUANTITY

1. 5mm clamp strip (1830/2440mm long)
4. M8 x 90 security bolts with snap off nuts (for 1.8 system)
5. M8 x 110 security bolts with snap off nuts (for 2.4 system)



STRINGER ASSEMBLY

QUANTITY

3. Stringers (2930mm long)
18. Latch clamps
18. M8 x 25 cup square bolt & nut